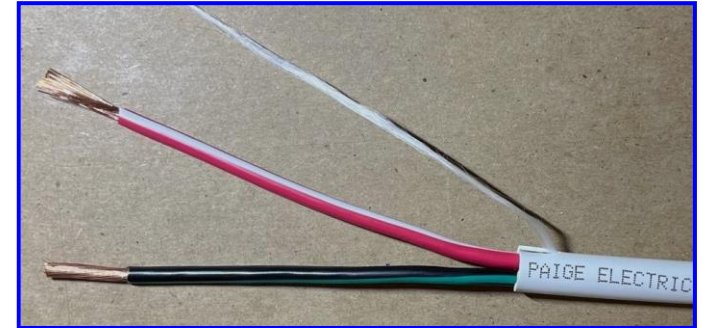
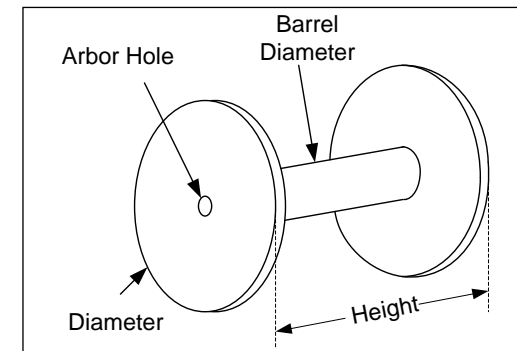


SPEAKER CABLES

- DESCRIPTION:** Outdoor and Indoor Speaker Cable, for in-wall and direct burial installation
- CONDUCTORS:** 16, 18, 14 and 12AWG stranded bare copper.
Color Code:
- 2-conductor: Black with Green stripe and Red with White stripe. Allows the use of the same cable for left and right speakers. See Wiring Diagram below.
 - 4-conductor: Black, Red, White and Green
- RIP CORD:** Facilitates the removal of the outer jacket without damaging the insulation of the inner conductors
- OUTER JACKET:** Lead-free, Sunlight/Fire-Resistant PVC
- LISTINGS:** UL or ETL listed for CL2/CMG FT4 Direct Burial applications
- PUT-UPS:** 500' reels
- MODELS:**



Part Number	AWG	Stranding			Reel Dimensions (inches)			
		Number of Conductors	Number of strands/AWG	Type	Flange Diameter	Height	Barrel Diameter	Arbor Hole
180SP162W	16	2	26/30	K	12	10	6	2.2
180SP164W	16	4						
180SP142W	14	2	41/30					
180SP144W	14	4						
180SP122W	12	2	65/30					
180SP124W	12	4						



PRINT LEGEND: PAIGE ELECTRIC USA 1xAWG/xC E195196-W UL) CL2 --- DIRECT BURIAL SUN RES AUDIO ONLY --- CMG FT4 --- INDOOR/OUTDOOR SPEAKER CABLE MMDDYY xxxFT

WIRING DIAGRAM: See next page

